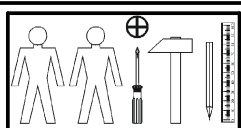
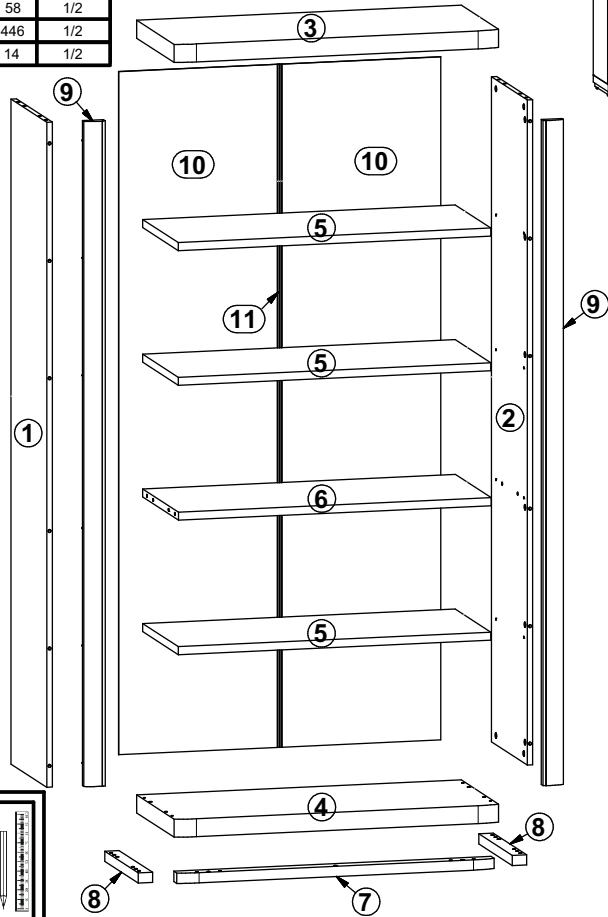
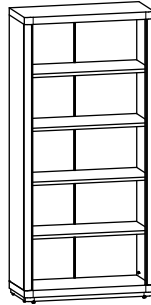


# OREGON

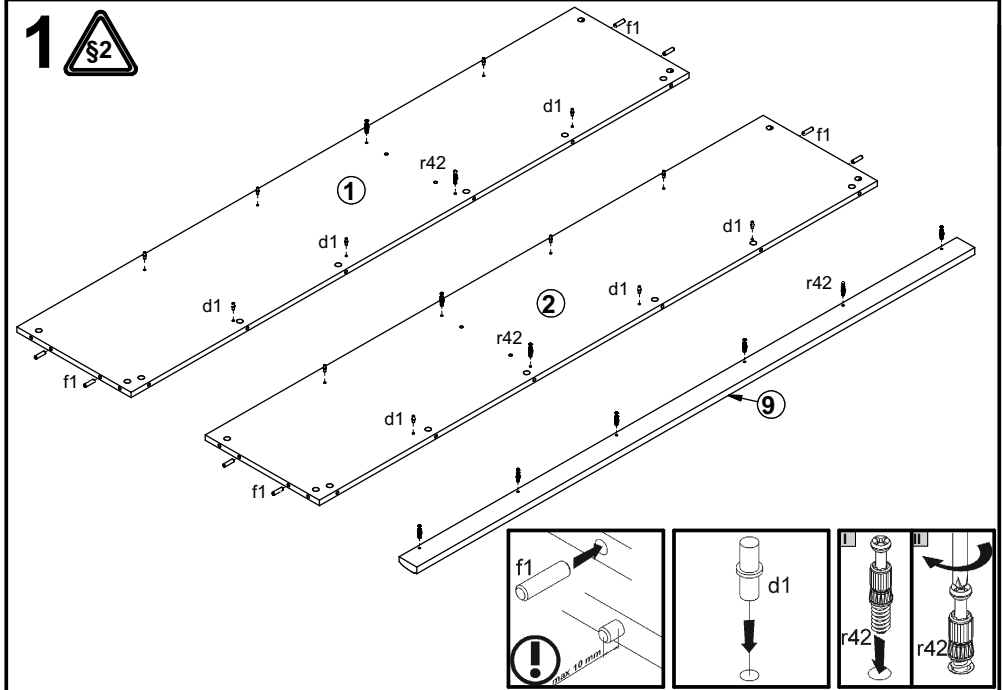
S157-REG/90

A	B	C	D	
1	S157-1128	1812	371	1/2
2	S157-1129	1812	371	1/2
3	S157-2201	902	396	2/2
4	S157-2202	902	396	2/2
5	S157-312	867	370	1/2
6	S157-313	868	371	1/2
7	S157-5501	882	40	2/2
8	S157-502	346	40	2/2
9	S157-511	1812	58	1/2
10	S157-9903	1861	446	1/2
11	Lh-1807	1807	14	1/2



12x 4x17 mm d1	7x 4x7,50 mm e1	18x 4x8,30 mm f1	4x 4x6,14 mm k3912	4x 4x6,27 mm k3913	65x l1	24x 4x12,12 mm 216 r1	24x r42	24x s2
1x z1	1x n2611	1x 4x1,8x16 mm p38						

1 §2



2 §6

